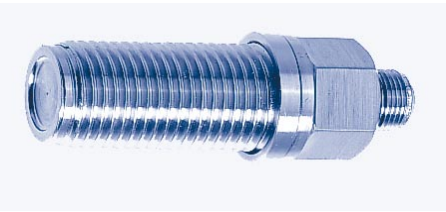
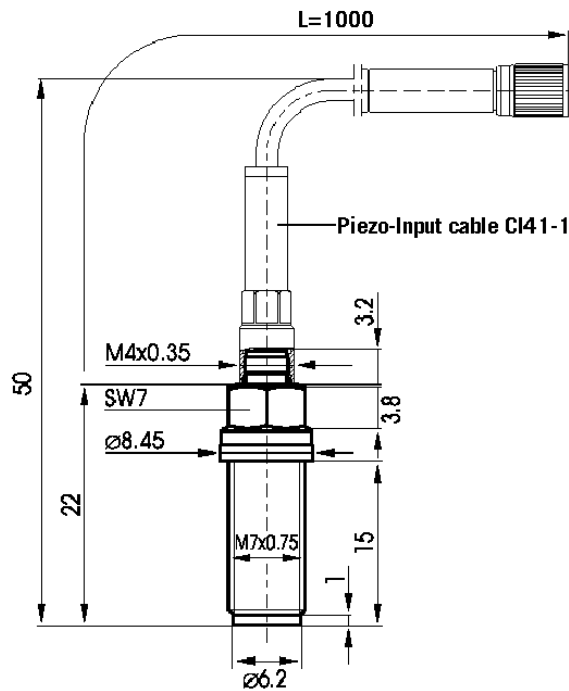


Sensors

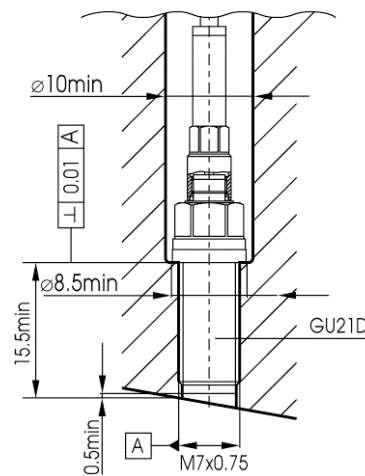


GU21D
Transducer Uncooled
 Art. No. GG0558

This pressure transducer opens a new dimension for cylinder pressure transducers with an M7 thread. The GU21D's key advantage is that although it is more compact than a conventional 10mm cooled transducer, it offers almost the same measurement precision. The influence on the measurement signal due to deformation of the mounting bore has been minimised by a newly designed transducer housing.



Dimensions



Example for direct installation

GU21D Transducer Uncooled

Standard Specifications

Measuring Range	0...250 bar (3625 psi), 25 MPa
Lifetime	> 10 ⁸ load changes
Overload	300 bar (4350 psi), 30 MPa
Sensitivity (nominal)	35 pC/bar (2.41 pC/psi), 350 pC/MPa
Linearity	< ±0.3 (0.1)* % FSO
Natural Frequency	85 kHz
Acceleration Sensitivity	< 0.002 bar/g
Shock Resistance	> 2000 g
Operating Temperature Range	up to 400°C (750°F)
Thermal Sensitivity Shift	20...400°C <±2% 200...300°C <±0.5%
Insulation Resistance at 20°C (68°F)	> 10 ¹³ Ω
Capacitance	8 pF
Mass (without cable)	6 grammes
Mounting Torque	3 Nm (for adaptors refer to drawings)

Thermodynamic Specifications

Cyclic Temperature Drift	< ±0.4 (0.2)* bar
Load Change Drift	
Max. Zero-line Gradient dp/dt	1,5 mbar/ms
Permanent Zero-line Deviation	8 bar
IMEP-Stability	< 2.5 %

*) Selected transducers GU21D (Art. No. GG0682) with specifications in () can be supplied upon request.

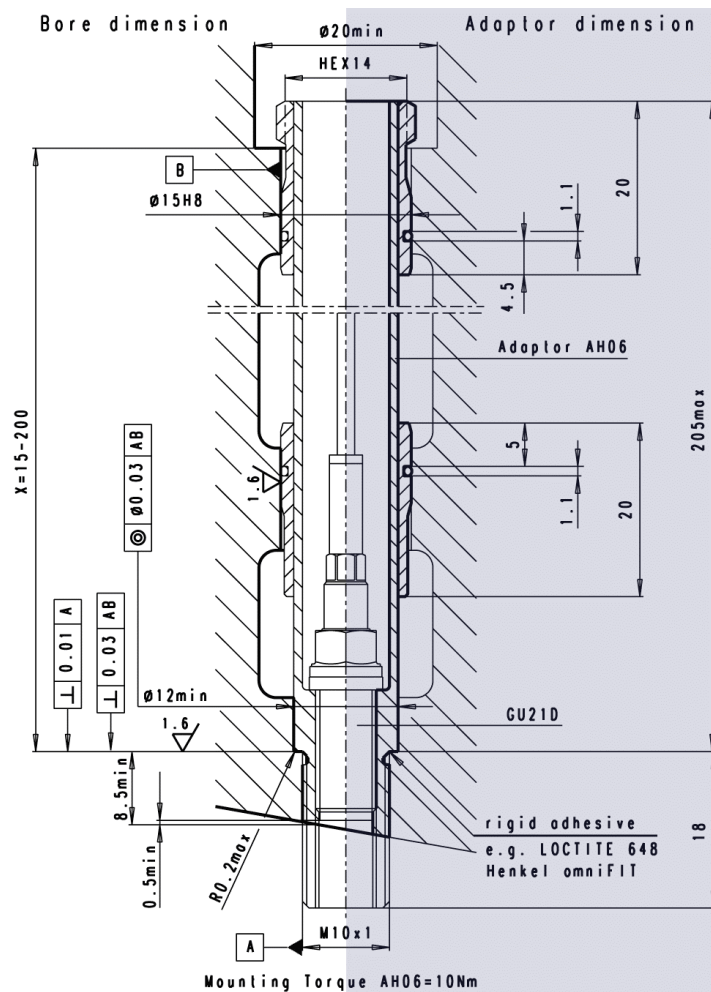
Scope of Supply

1 Transducer GU21D	1 Protection cap
1 Piezo-Input cable CI41-1 plus Coupling CC41, fitted	1 Calibration sheet
2 Spare O-rings for cable	1 Specification sheet
1 Gasket SG03 (fitted) + 1 Spare gasket	1 Brief description

GU21D Transducer Uncooled

Accessories

Cables and Couplings	CI41-1, CI42-1 (metal mesh), CC41, E124-10
Cable-Mounting Tool	TC01
Gasket	SG03
Dismounting Tool for gasket	TT17
Dummy	DG04
Removal Tool	TD01
Adaptor	AH06
Machining Tool	MS22 (MD22, MT21), MS24 (MD24, MT31)
Mounting Tool	TS03 (TT11, TT02)
Mounting Spray	SF01



Installation by means of Adaptor AH06